



Impact® is Corradi's Patented cover system comprising a tough water-proof canvas - called Eclissi - which runs on special guides and is supported by aluminium tubes. Installed on all Corradi structures, Impact® can be used also with any type of pre-existing pergola or support .



CORRADI USA NEW FRAME COLORS (matte finish)

2016-2017



BEACH SAND



DUNE



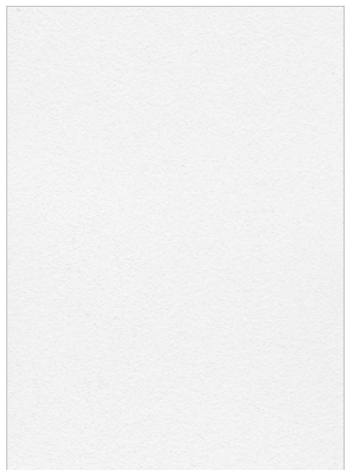
GRANITE



CORTEN



URBAN BRONZE



QUARTZ WHITE



GLACIER

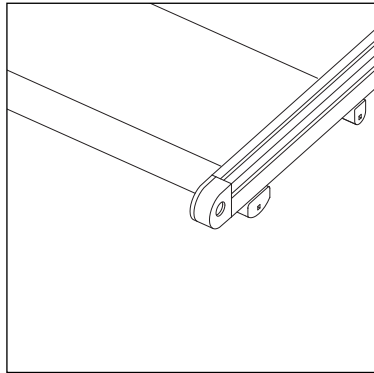


ANTHRACITE



CARBON

IMPACT FEATURES



Impact is a retractable cover system, made to size for the protection from sun and rain, that can be installed on suitable pre-existing structures. It is also the "heart" of every Corradi system. It consists of an aluminum structure and a folding canvas. Pitched versions have guaranteed wind resistance of grade 8 on the Beaufort scale, while flat versions have grade 6 resistance (above class 3 - UNI EN 13561). The system is not suitable for bearing snow. The canvas, made from exclusive Corradi Eclissi* fabric, available in white, grey and ivory, is an opaque laminated PVC and has a side embossed with weft

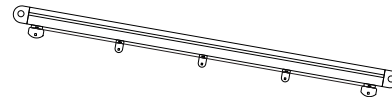
effect. The fabric is supported by intermediate supporting tubes (section: 1.6 x 2 inches) and terminal bars (section: 3.2 x 2 inches) set parallel to one another every 24 inches approximately on pitched version and every 20 inches approximately on flat version. The canvas moves by sliding on the runners (section: 2 x 3.5 inches) on carriers with 6 asymmetrical wheels with a capacity of about 1000 lbs. each. The toothed transmission belt has stainless steel cables and resists a saline environment; the tensile strength is of 2000 lbs. at break; the transmission belt is inserted in each runner, controlled by the drive pulley and a single drive shaft that guarantees the smooth movement of the canvas. The Impact system is set in motion by a radio-controlled motor. The runners are available in: brown, anthracite, grey, white, ivory, and Alusteel. The support tubes come in: white, ivory, and grey to match with the Eclissi fabric.

The aluminum extrusions are painted with certified Qualicoat cycle epoxy powders with the exception of Alusteel color, which is obtained through a chemical anodizing process.

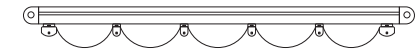
Hardware and accessories are in AISI 304 stainless steel and 10/10 aluminum protection covers in the same color as the structure.

*See Corradi fabric catalog for other available fabrics.

PITCHED
Version



FLAT
Version



MAXIMUM DIMENSIONS inches

	<i>Width</i>	<i>Projection</i>
2 runners	177	315
3 runners	354	315
4 runners	512	315

MAXIMUM DIMENSIONS inches

	<i>Width</i>	<i>Projection</i>
2 runners	138	315
3 runners	276	315
4 runners	413	315

IMPACT 2 RUNNERS

self-supporting motor beam (option)

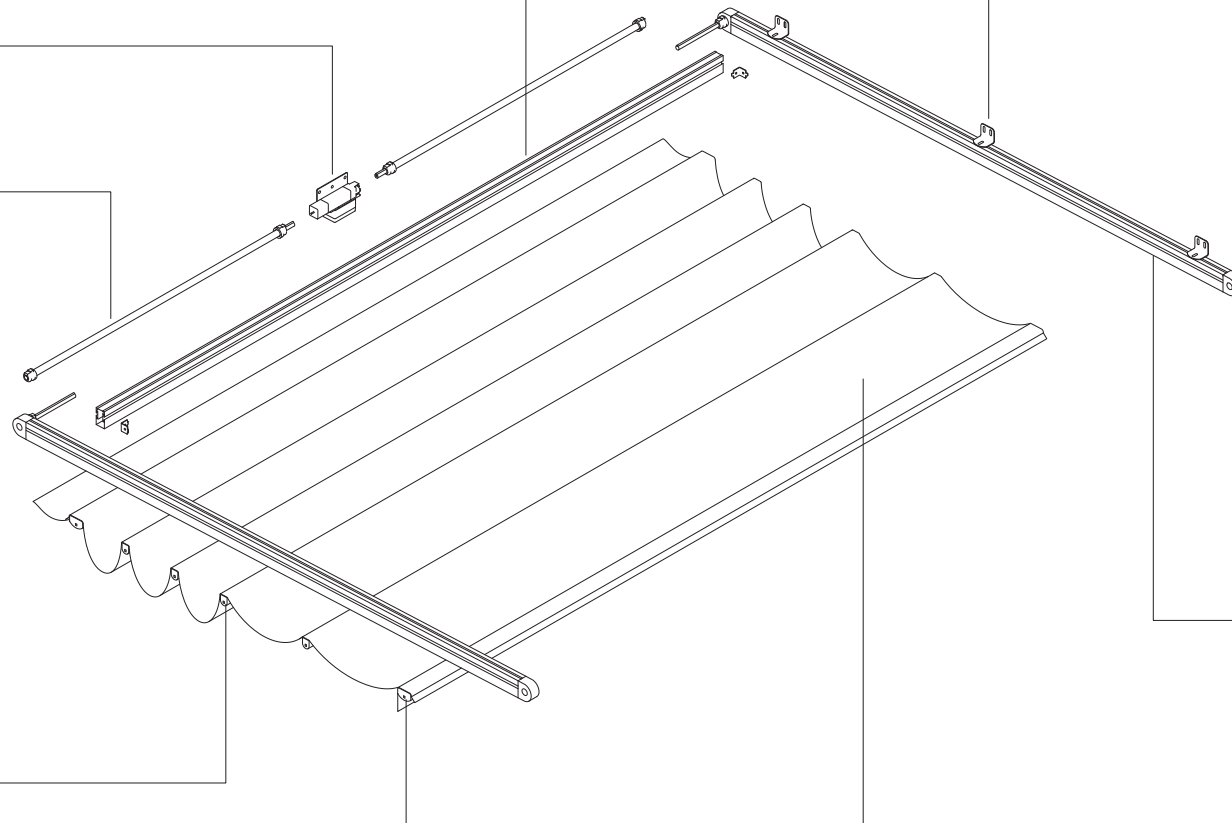
runner support (option)

motor

transmission shaft

intermediate support tube

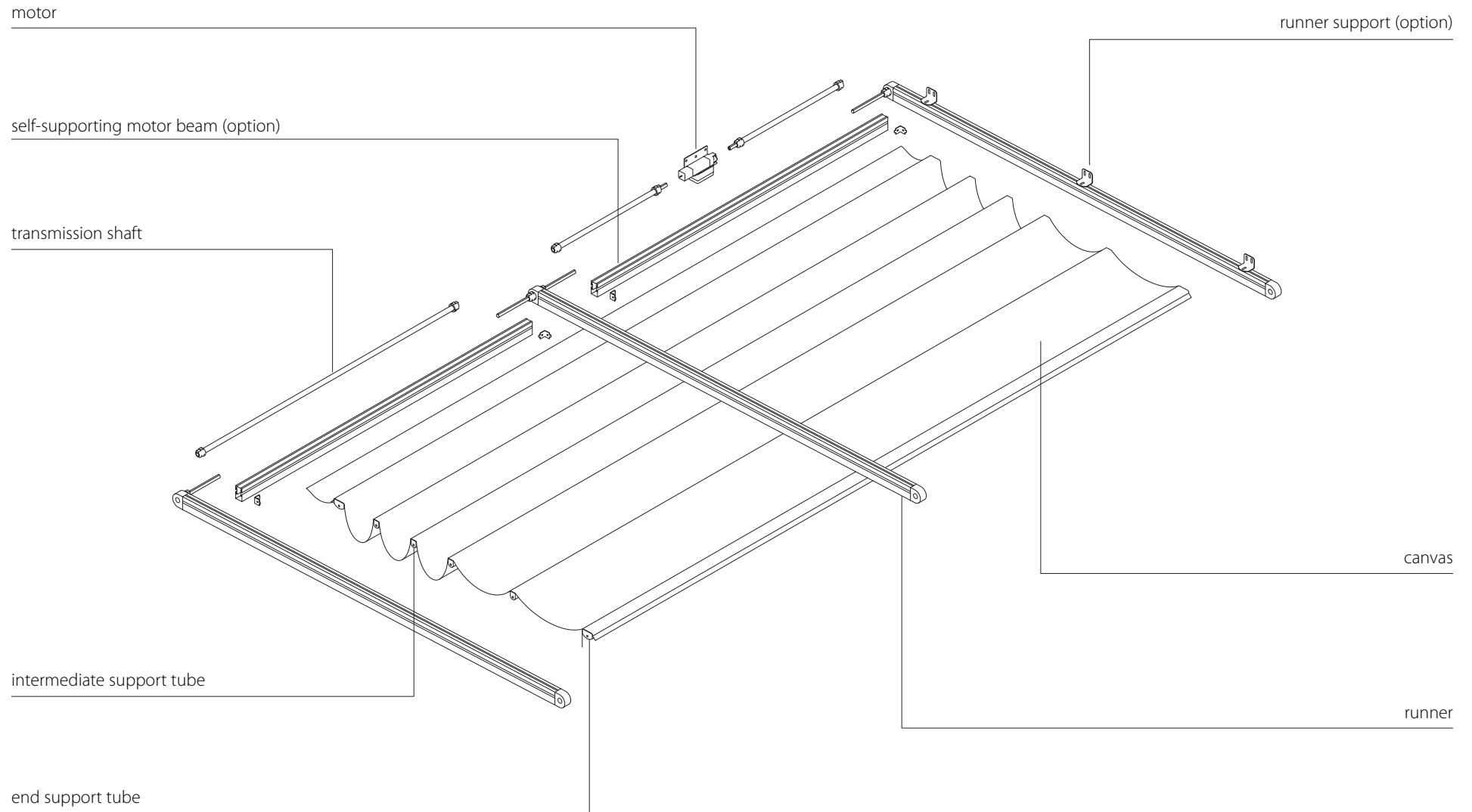
end support tube



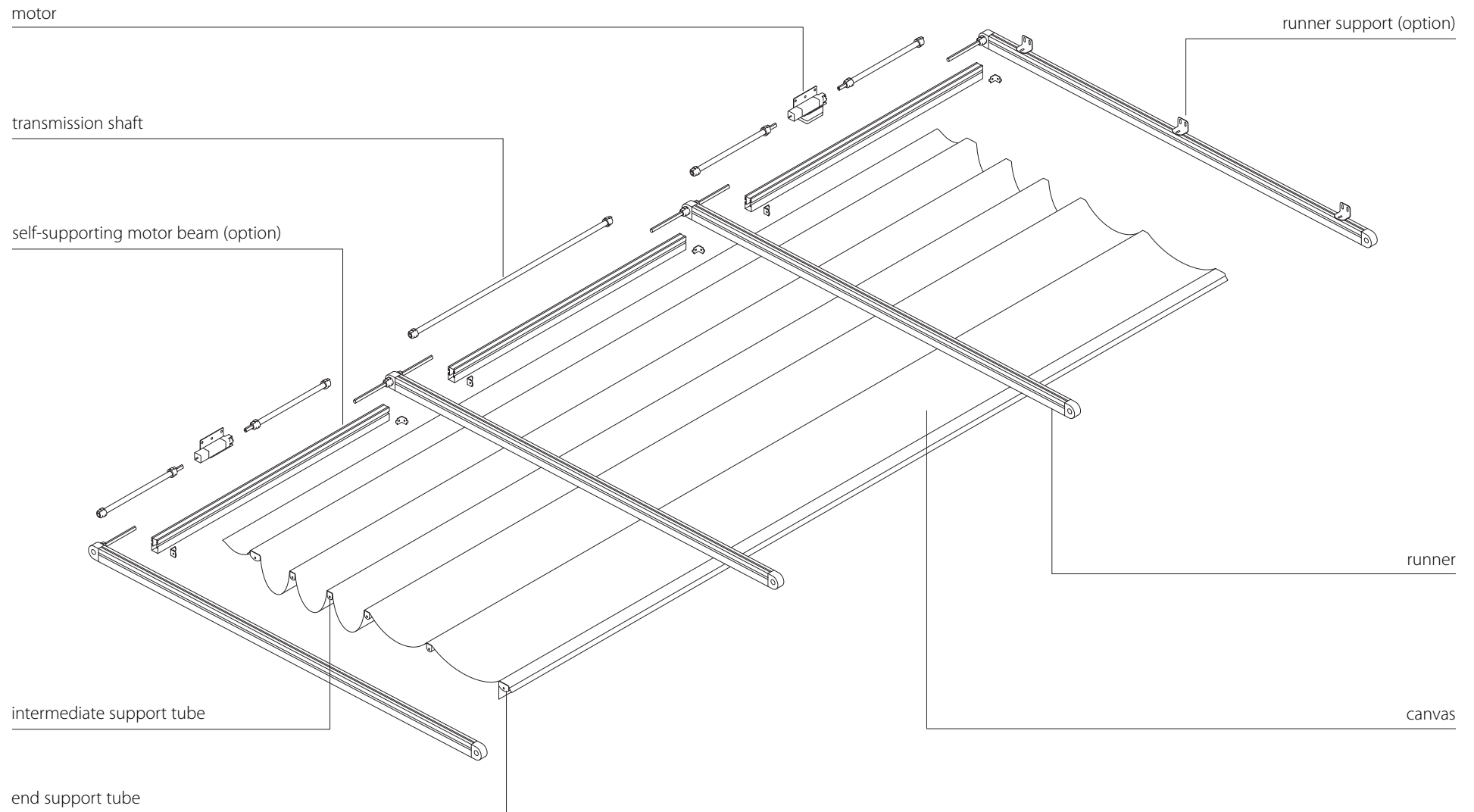
runner

canvas

IMPACT 3 RUNNERS

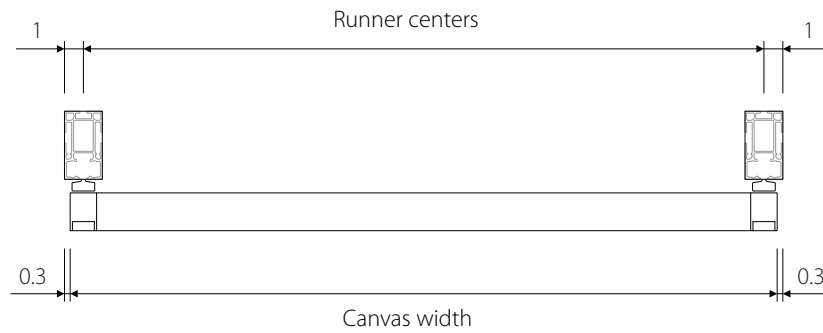
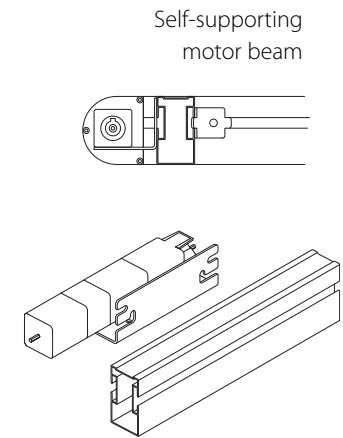
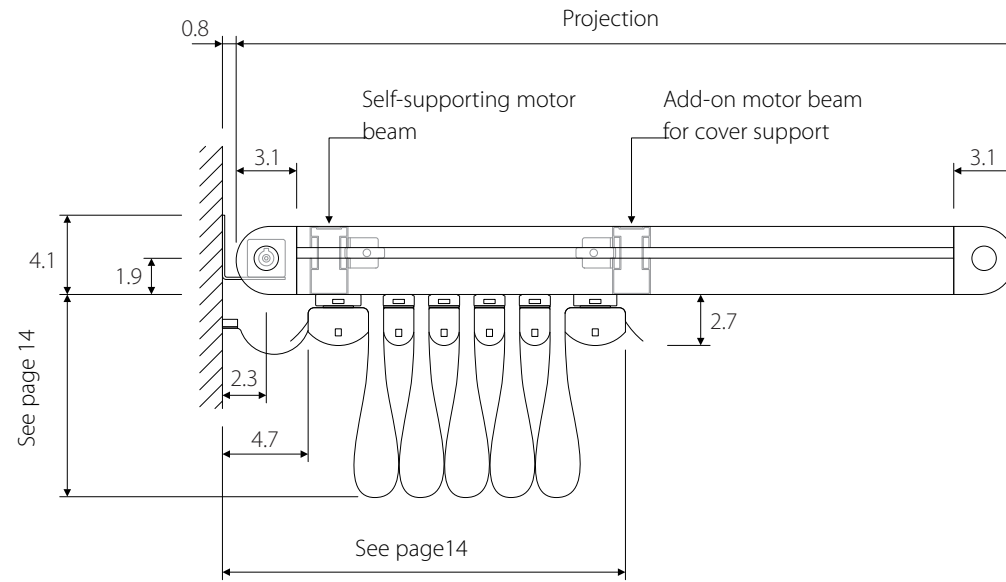
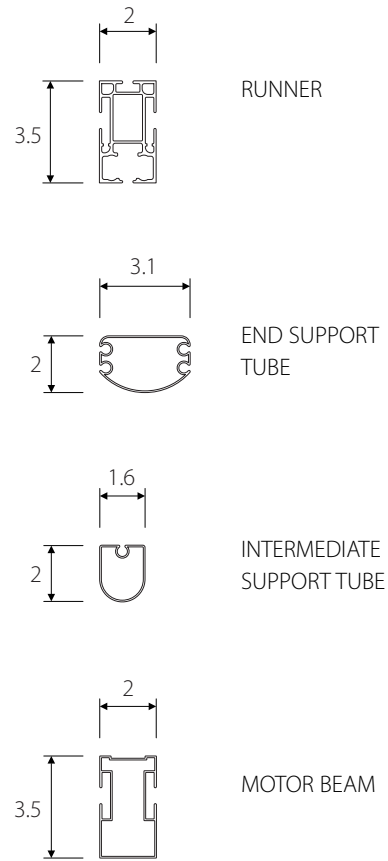


IMPACT 4 RUNNERS



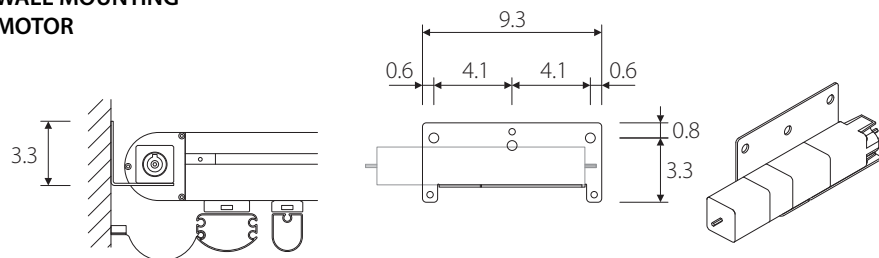
IMPACT DIMENSIONS

PROFILE SECTION

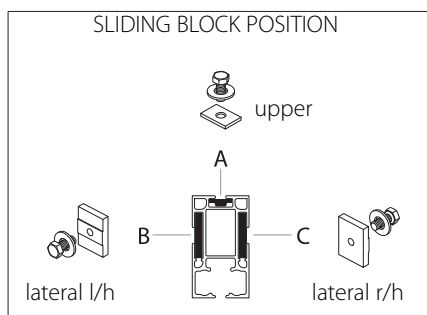
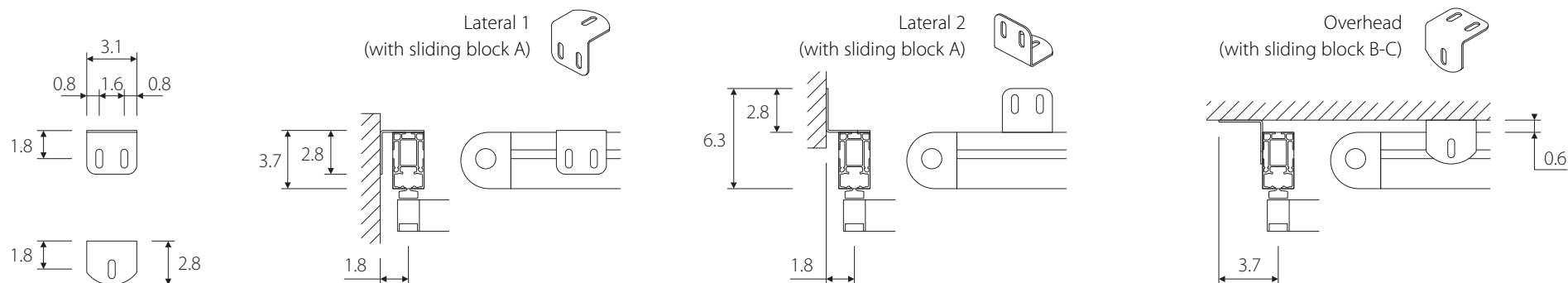


All measurements are given in inches.

WALL MOUNTING MOTOR



RUNNER MOUNTING - APPLICATION SAMPLES (reference no. 00479 - optional)



Supports and corresponding load chart.

All measurements are given in inches.

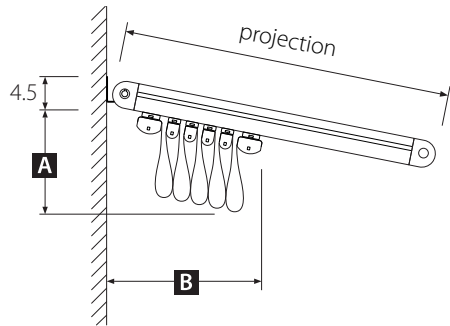
	RUNNER LENGTH inches												
	79	98	118	138	157	177	197	217	236	256	276	295	315
nr of brkts	2	3	3	4	4	4	5	5	5	6	6	7	7
lbf/nr	443	366	386	517	443	499	443	485	530	479	517	474	506
lbf	885	1099	1159	2067	1771	1995	2213	2427	2651	2872	3101	3319	3539

nr Minimum number of supports per runner
lbf Maximum load on each runner with a Beaufort scale 8 wind
lbf/nr Maximum load per bracket on each runner

IMPACT CANVAS SWAG

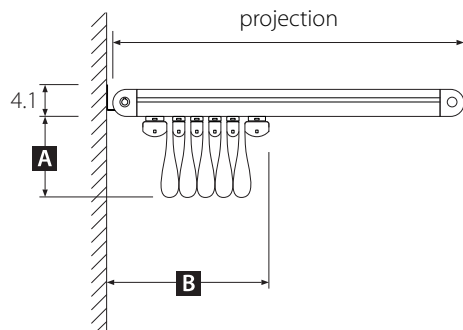
Pitched version

Minimum values of the encumbrance of the folded awning for the pitched version (8.5° angle). The figures written in bold type refer to the canvas swag with standard support tubes and the following refer to the use of additional tubes.



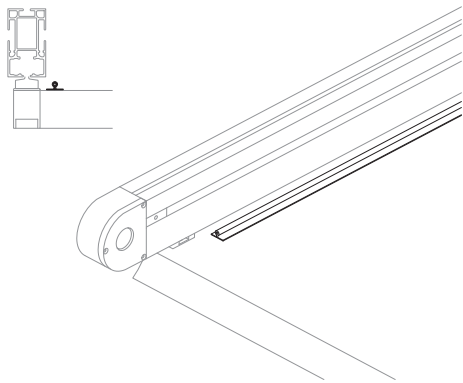
Flat version

Minimum values of the encumbrance of the folded awning for the flat version. The figures written in bold type refer to the canvas swag with standard support tubes with a deflection of 6.7 inches.



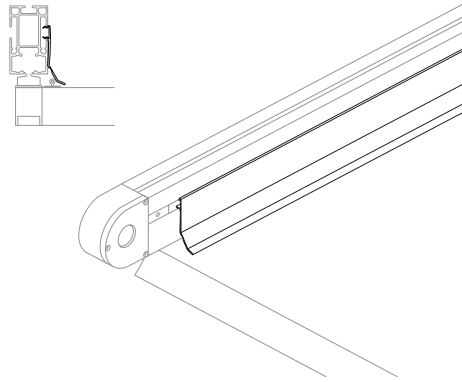
PROJECTION inches	SUPPORT TUBES TOTAL NUMBER													
	3	4	5	6	7	8	9	10	11	12	13	14	15	16
60														
83	12.6	9.1	7.5											
107		13	10.2	9.1										
131			13.4	11.4	10.2									
154				13.8	12.2	11								
178					14.2	12.6	11.8							
202						14.2	13.4	12.6						
225							14.6	13.8	13					
249								15	14.2	13.8				
272									15.4	14.6	14.2			
296										15.7	15	14.6		
315											16.1	15.4	15	
												16.5	15.7	15.4
PROJECTION inches	SUPPORT TUBES TOTAL NUMBER													
	14	16	19	21	23	26	28	30	32	35	37	39	42	44
72	12													
91		12												
111			12											
131				12										
150					12									
170						12								
190							12							
209								12						
229									12					
249										12				
269											12			
288												12		
308													12	
315														12
PROJECTION inches	17	19	22	24	26	29	31	34	36	38	41	44	47	50

All measurements are given in inches.



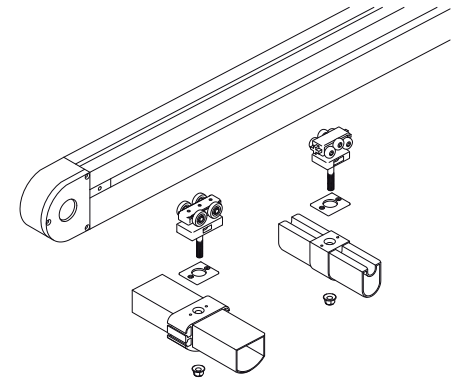
S1 Antidrip system

Weldable pvc profile on the upper part of the canvas for lateral rainwater retention.



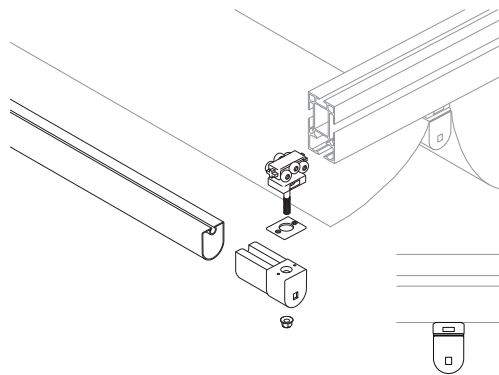
S2 Antispray profile

Pvc profile inserted on the lateral side of the runner for retention of rainwater spray. Always in addition to the antidrip system **S1**



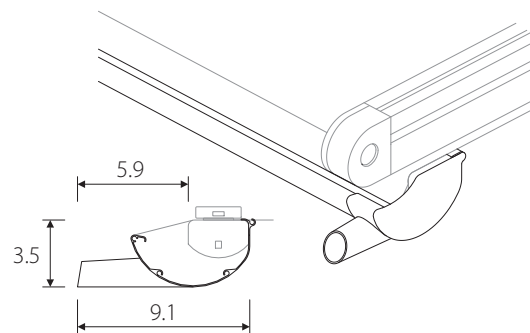
S4 Add-on runner

Impact runner complete with carriers, support tube joints, central transmission shaft with bushings.



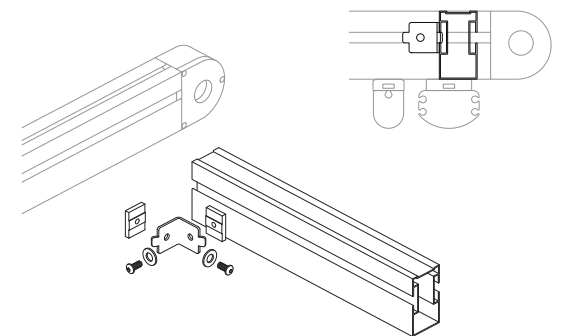
S5 Add-on intermediate support tube

Complete intermediate support tube with stoppers, joints (where present) and intermediate carriers.



S6 Retractable gutter

Extruded aluminum profile for rainwater collection, only for pitched versions, fixed to the end support tube. One drainage per runner. Down pipes not provided.



S7 Motor Beam

Aluminum profile and corresponding accessories to be fixed to self-supporting motor or, in addition, to support the protective cover.