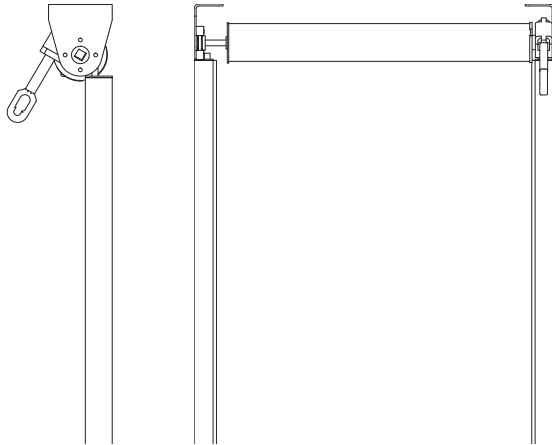


# AERO

*Extremely versatile, the Aero is Corradi's premier exterior open roll system.*



The AERO open roll system is exclusively manufactured and sold by Corradi USA.

**Base Model** - The base model comes gear operated with detachable crank, no side tracks, and a round bottom bar.

**Tracks** - Upgrade options include *The Original* ShyZip fabric retention system or stainless steel cable guides. When manual, the Aero uses only the Tall GS40T Shyzip track instead of the Standard GS40 Shyzip track.

**Manual** - The manual version of the Aero is only available with a worm gear and awning crank. The detachable awning crank has a hook that attaches to a loop in the worm gear.

**Motorized** - The AERO several motor configurations. Corradi offers the latest motors from the Italian company Nice. Upon request, Somfy motors can be ordered.

**Sensors** - The wireless options can be used with a sun, wind, or a sun & wind sensor to automatically operate under specified conditions.

**Brackets** - The Aero is delivered ready to install with standard easy-to-use Aero brackets that can be used for either wall or ceiling mount.

**Installation** - SEE PAGE 34

## MAXIMUM DIMENSIONS

<i>Width*</i>	<i>Height**</i>
216"	108"-192"

\*manual units can only be made up to 16' (144") width.

\*\*maximum height of shade for vinyl window is 108"

Standard ShyZip (GS40) track can only be made up to a 12' (144") drop and is only available motorized.

Tall Shyzip (GS40T) is always used for a manual Aero where a standard awning worm gear is needed for screen operation.

# CORRADI USA NEW FRAME COLORS (matte finish)

2016-2017



BEACH SAND



DUNE



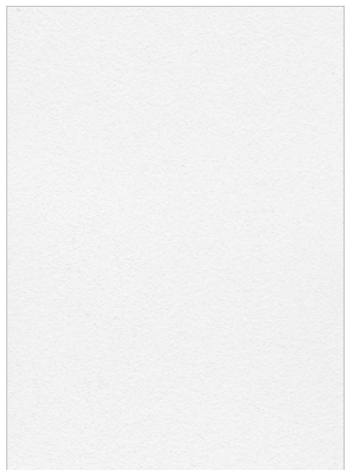
GRANITE



CORTEN



URBAN BRONZE



QUARTZ WHITE



GLACIER

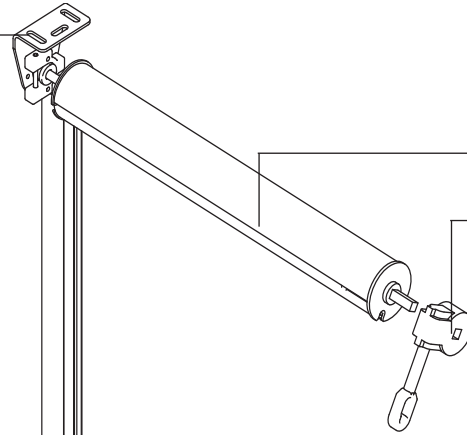


ANTHRACITE



CARBON

Mounting Bracket



Roll Tube

Awning Gear

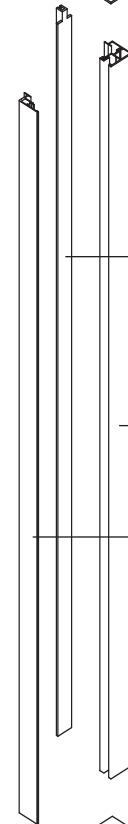
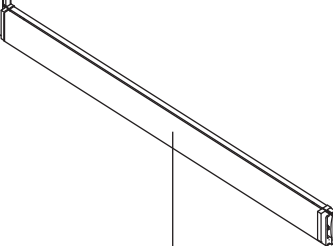


ShyZip PVC Insert

ShyZip Fixed Track

ShyZip Removable Track

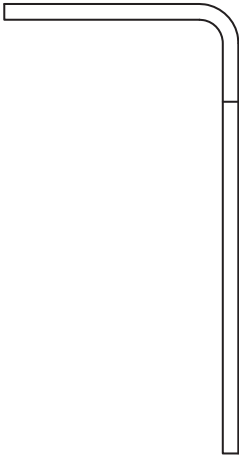
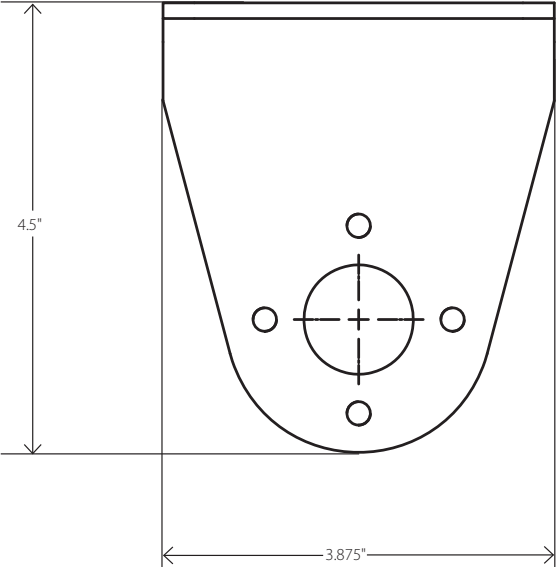
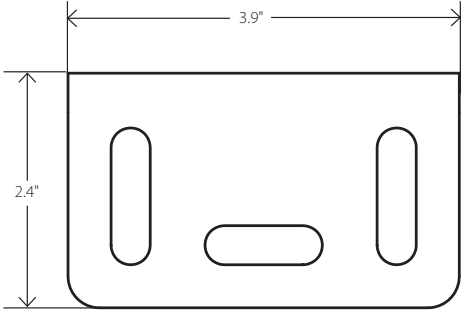
Bottom Bar



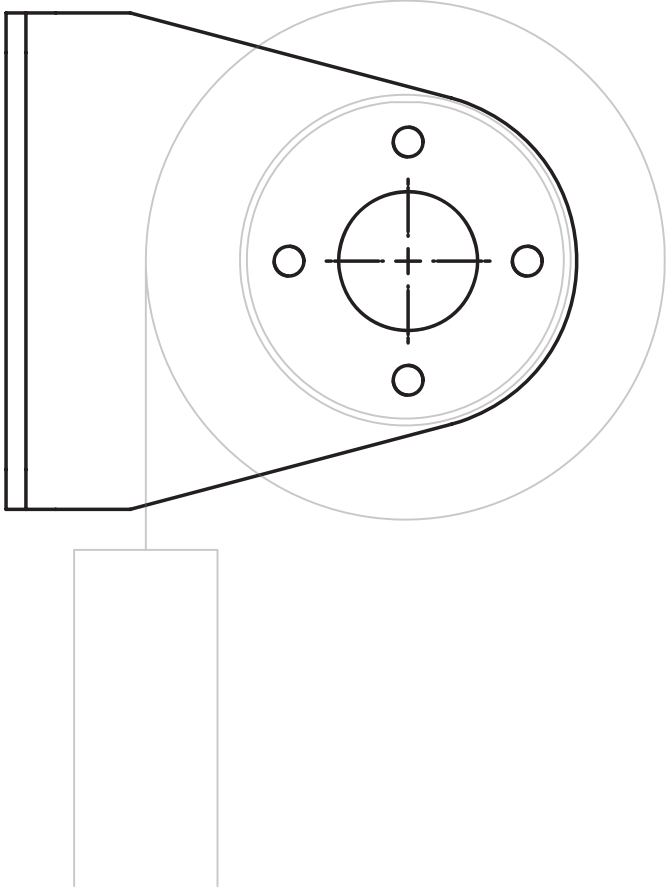
ShyZip Track End Cap



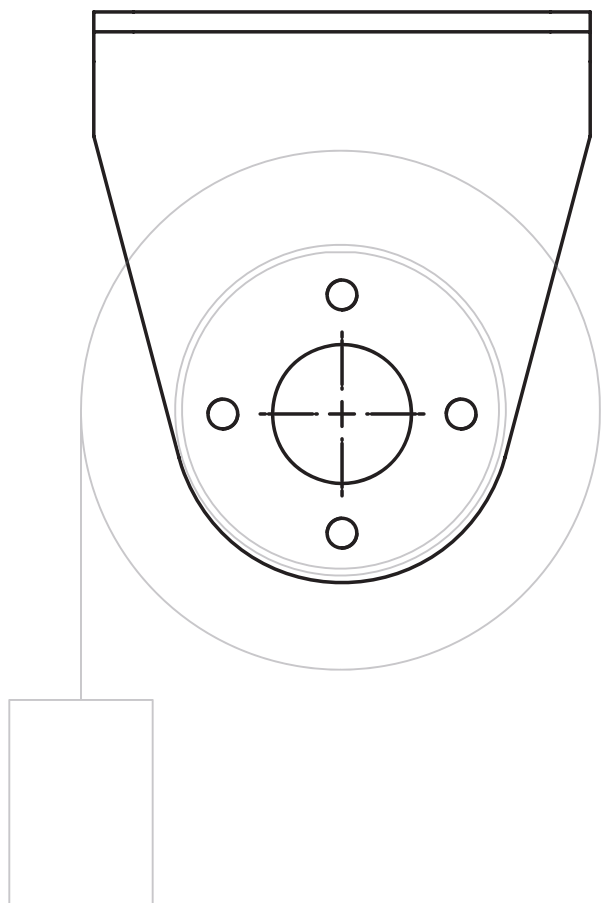
**BRACKETS**



**WALL MOUNT**



**CEILING MOUNT**



**POCKET INTALLATION CEILING MOUNT**  
*(AS SEEN FROM SIDE)*

Minimum Width and Depth of Pocket MUST BE 7"

