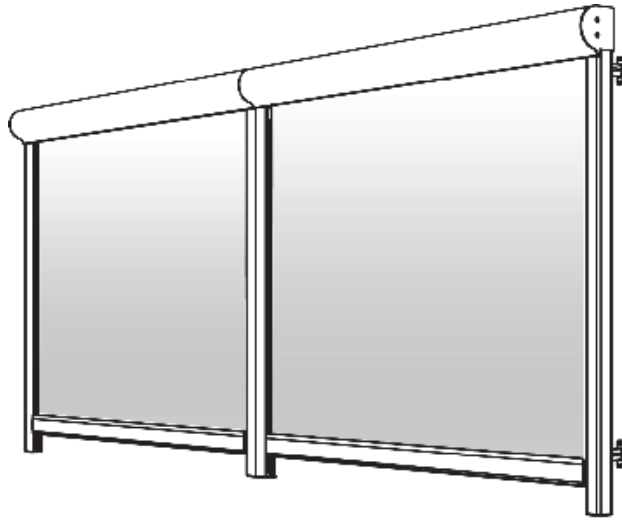


HORIZON

Designed for interior and exterior skylight shading, as well as mounting to existing structures for patio areas, the Horizon is a unique answer to controlling the sun's harsh U.V. rays.



MAXIMUM DIMENSIONS

<i>Width</i>	<i>Projection</i>
60"-180"	60"-180"

The Horizon is capable of up to 195 square feet of coverage per individual unit. The systems can also be installed side by side together for even greater coverage. It can also be used for larger bottom-up applications. It can be used with solar screening materials or solid awning fabrics. The Horizon's constant tensioning design will give years of maintenance free sun control.

**The Horizon is strictly designed for sun control and is not intended to protect from rain.*

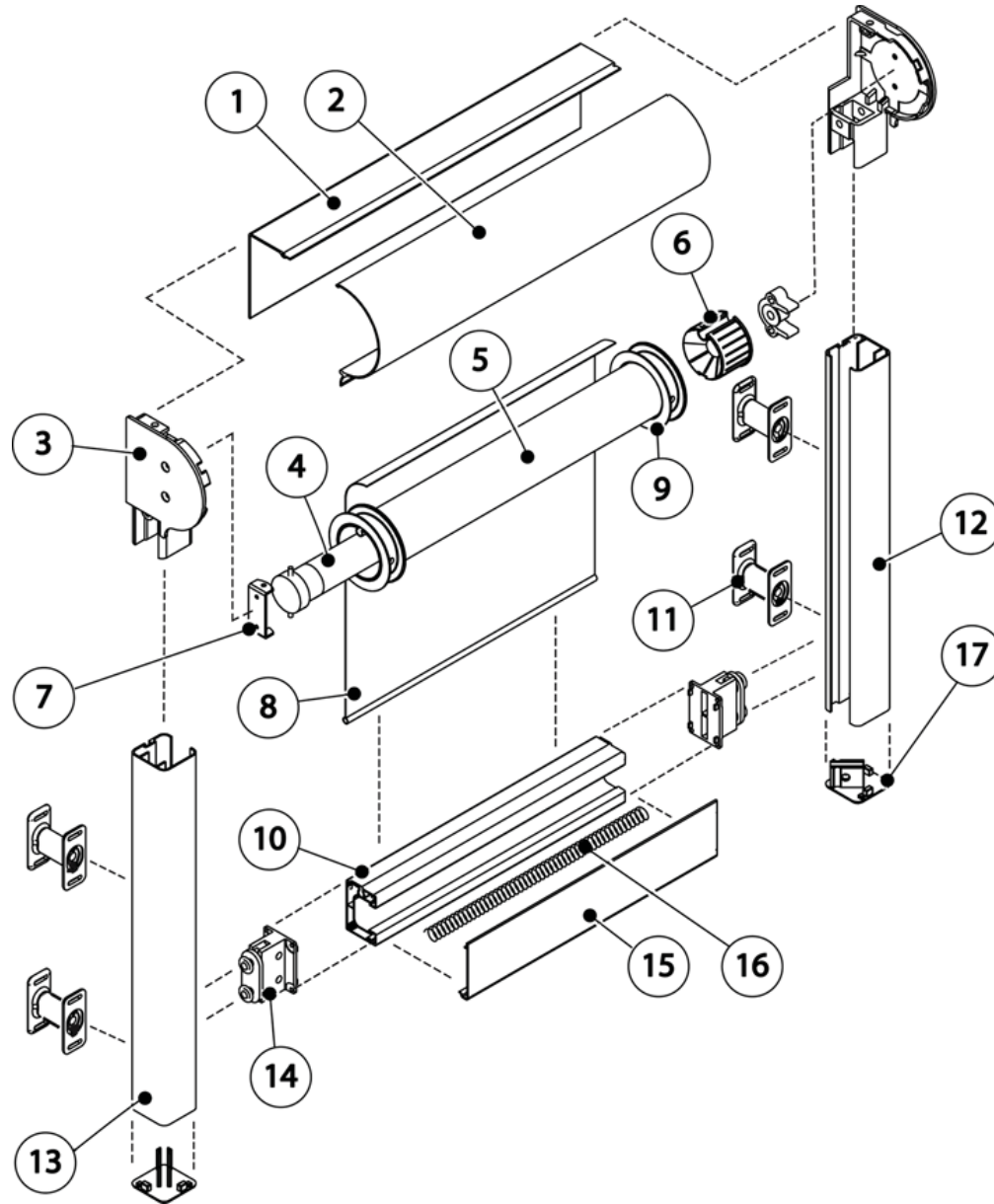
Base Model - The base model comes in white only, motorized, with tracks specifically used for the Horizon.

The Horizon is Motorized Only - The Horizon is available with several motor configurations including a wired switch controlled motor or wireless remote controlled motor. Corradi offers the latest motors from Nice motors and Somfy motors.

Sensors - The wireless options can be used with a sun, wind, or a sun & wind sensor to automatically operate under specific conditions.

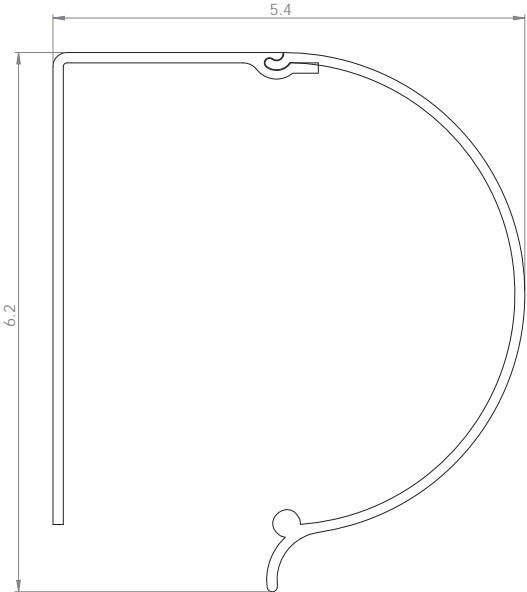
Brackets - The Horizon is delivered ready to install with options to use L-Brackets or Stand-off Brackets.

Installation - SEE PAGE 45

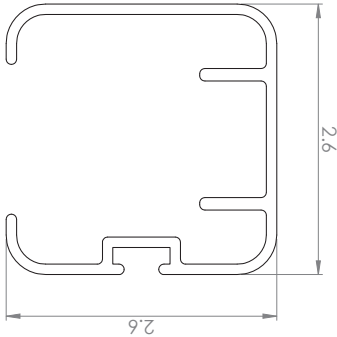


- | | |
|----|----------------------------|
| 1 | FIXED CASSETTE COVER |
| 2 | REMOVABLE CASSETTE |
| 3 | ENDCAP (DIE CAST ALUMINUM) |
| 4 | MOTOR |
| 5 | ROLL TUBE |
| 6 | IDLE ROLL TUBE ENDCAP |
| 7 | MOTOR BRACKET |
| 8 | FABRIC |
| 9 | CABLE WINDER FOR PULLEYS |
| 10 | BOTTOM BAR |
| 11 | MOUNTING BRACKETS |
| 12 | RIGHT FABRIC GUIDE |
| 13 | LEFT FABRIC GUIDE |
| 14 | BOTTOM BAR ENDCAP |
| 15 | BOTTOM BAR COVER |
| 16 | FABRIC TENSIONING SPRING |
| 17 | GUIDE ENDCAP |

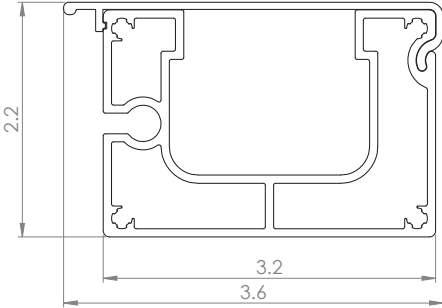
PROFILE SECTIONS



CASSETTE

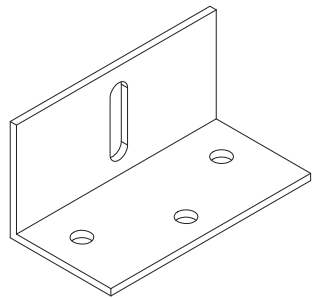


TRACK

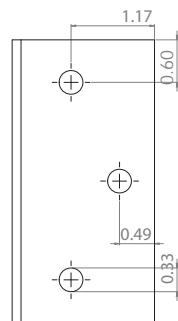
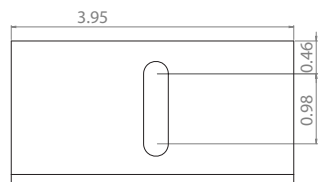
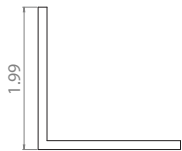


BOTTOM BAR

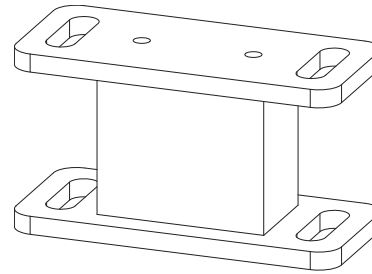
L-BRACKETS



The L-Bracket is used for mounting the Horizon inbetween walls (side-mounting).



STAND-OFF BRACKETS



The Stand-Off Bracket is used in situations where the Horizon must be installed on top or bottom of existing structure. The height can be customized at a minimum of 2" and a maximum of 12".

