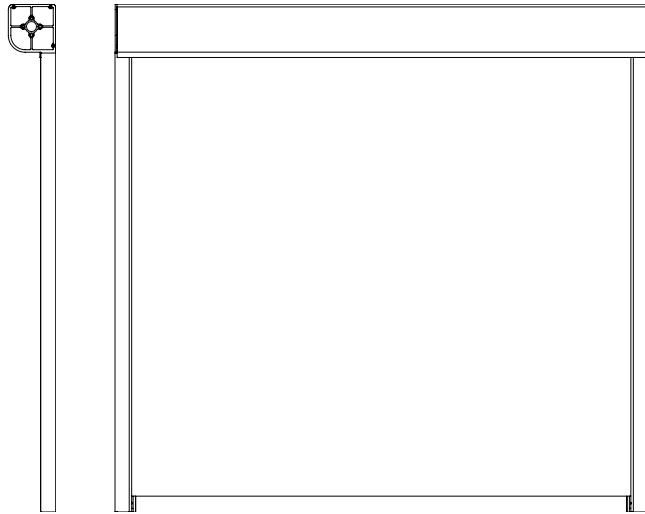


SL135

A heavy duty cassette system with a bigger cassette and wider roll-tube, The SL135 is perfect for situations requiring wider widths to be covered.



MAXIMUM DIMENSIONS

Width*	Height**
216"-276"	144"-192"

*manual units can only be made up to a 16' (192") width.

**Only Insect Screen, Tuffscreen, Super Solar Screen, and Vienne can be used over a 18' (216") width.

**maximum height for systems with vinyl window is 108" without special approval.

Standard ShyZip (GS40) track can only be made up to a 12' (144") drop
Tall Shyzip (GS40T) is used in cases where a standard awning worm gear is needed for screen operation.

The SL135 is modeled after the industry's superior shading system, the SL111, and is exclusively manufactured and sold by Corradi USA.

Base Model - The base model is gear operated with awning gear and crank, no side tracks, and a round bottom bar.

Tracks - Upgrade options include *The Original* ShyZip fabric retention system or stainless steel cable guides. When using Shyzip on an SL135 manual system the Tall GS40T track will be used in lieu of the Standard GS40 track to comply with the required worm gear.

Manual - The SL135 uses only the worm gear with awning crank for manual operation. The worm gear with awning crank can be used on a manual shade up to 16' wide.

Motorized - The SL135 is available with several motor configurations including a wired switch controlled motor or wireless remote controlled motor. Corradi offers the latest motors from Nice motors and Somfy motors. Any shade more than 16' wide must be motorized.

Sensors - The wireless options can be used with a sun, wind, or a sun & wind sensor to automatically operate under specific conditions.

Installation - SEE PAGE 25 **please note that the SL135 does not use mounting brackets*

CORRADI USA NEW FRAME COLORS (matte finish)

2016-2017



BEACH SAND



DUNE



GRANITE



CORTEN



URBAN BRONZE



QUARTZ WHITE



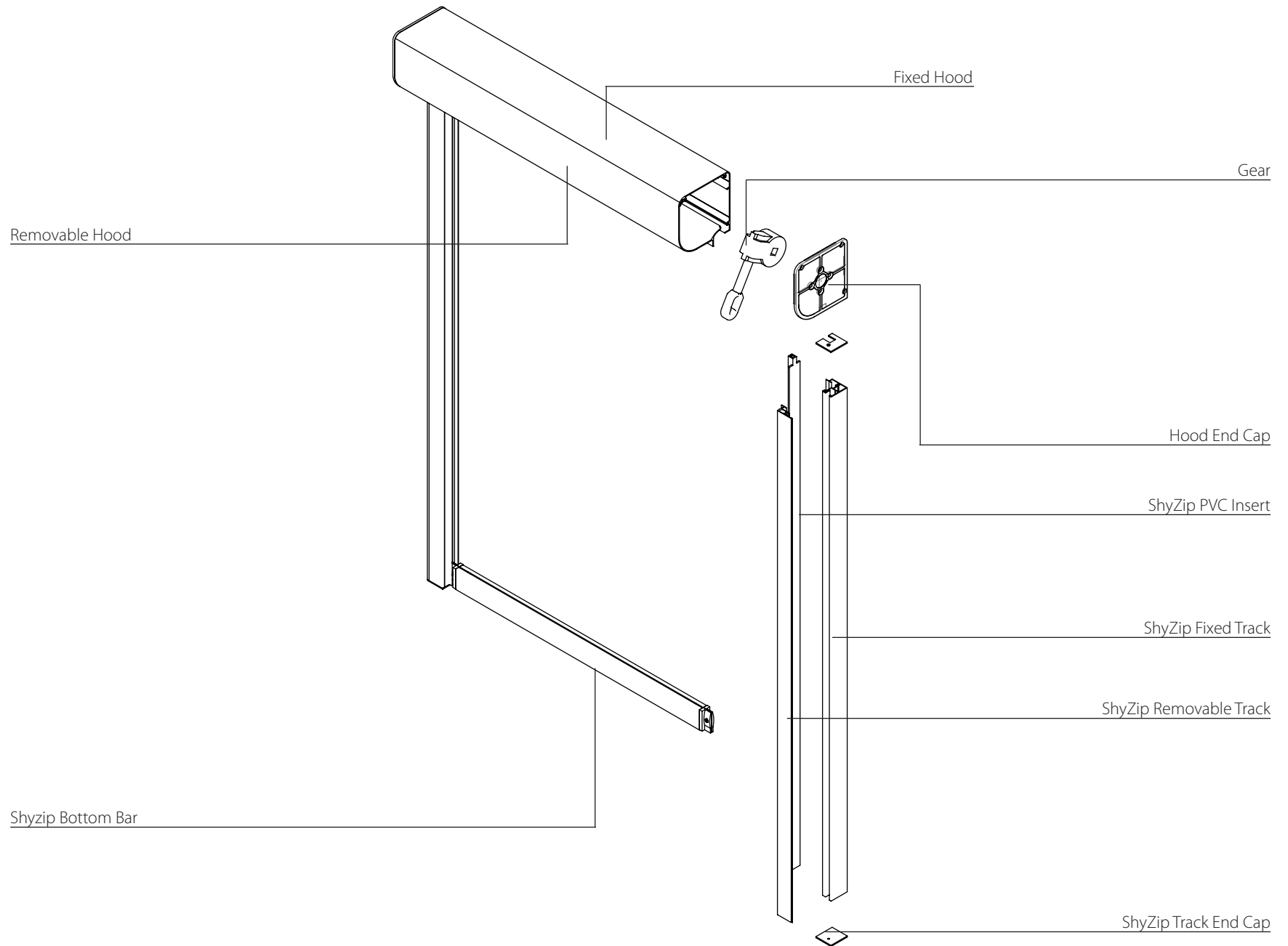
GLACIER



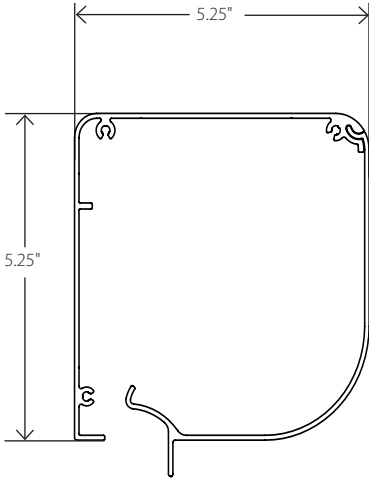
ANTHRACITE



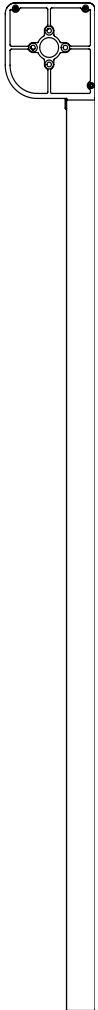
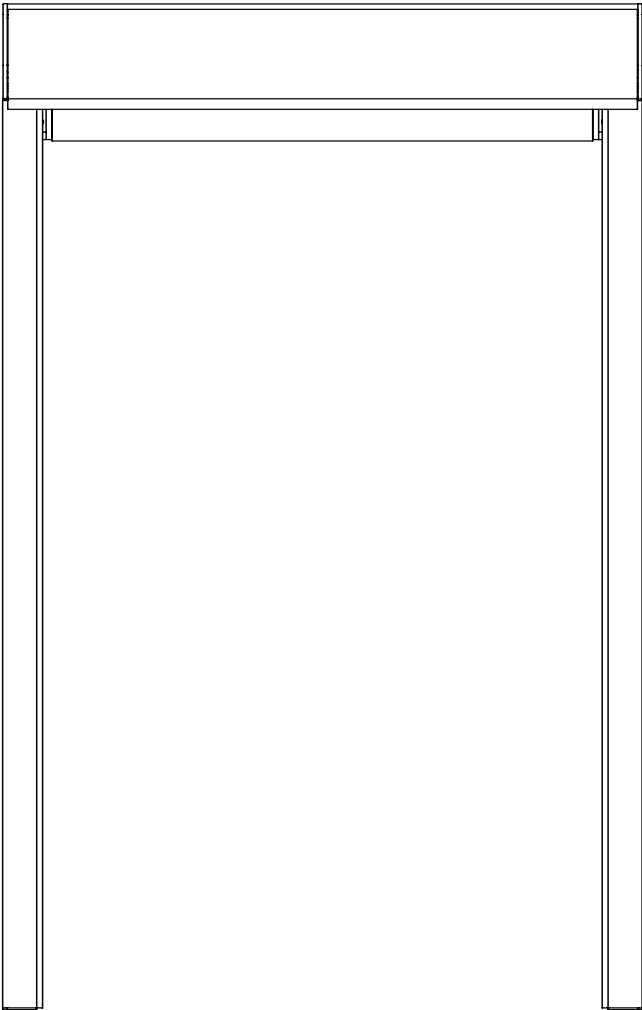
CARBON



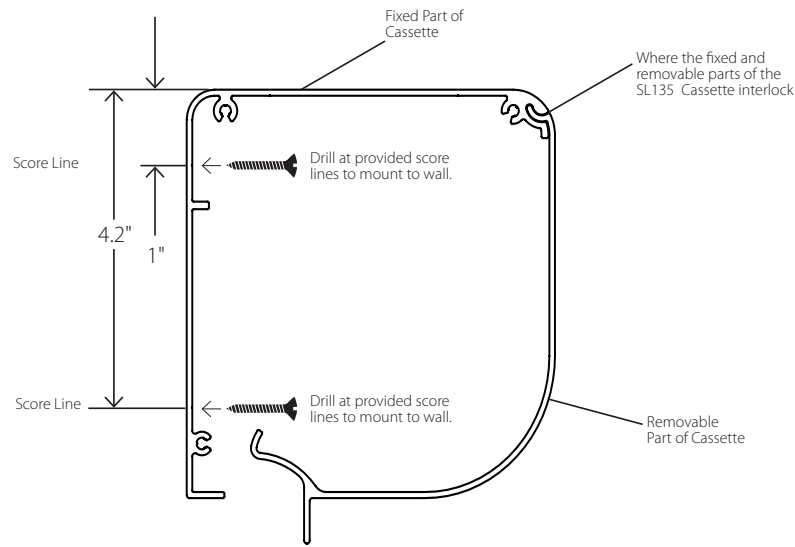
PROFILE SECTIONS



CASSETTE

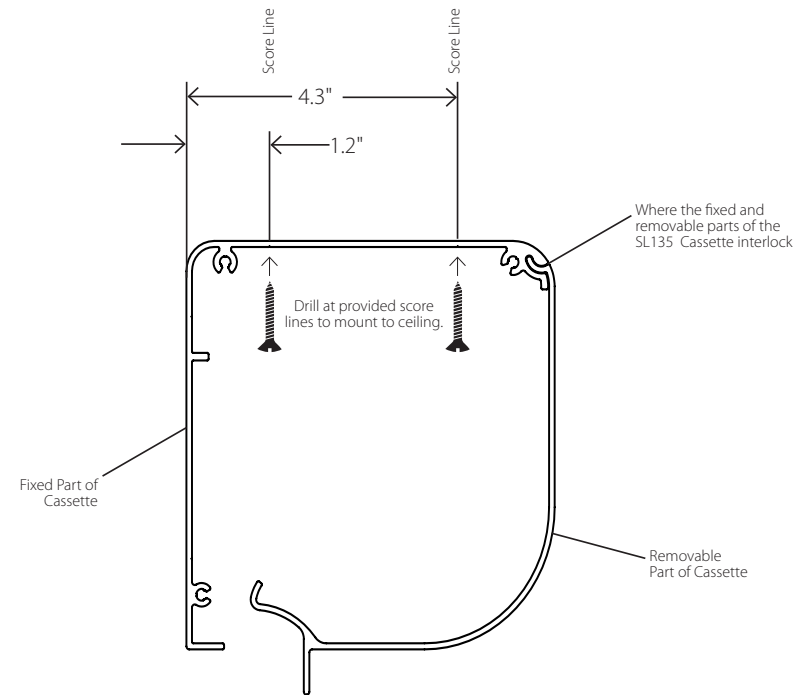


WALL MOUNT



The SL135 must be mounted directly to the wall by drilling directly through the back of the fixed side of the cassette. Guidelines are scored in the extrusion on the fixed side of the cassette where indicated.

CEILING MOUNT



The SL135 must be mounted directly to the ceiling by drilling directly through the top of the fixed side of the cassette. Guidelines are scored in the extrusion on the fixed side of the cassette where indicated.

NOTE: DUE TO THE HEAVY WEIGHT OF THE SL 135 SYSTEM & THE FACT THAT IT LATER MUST BE INSTALLED BY FASTENING DIRECTLY THROUGH BOX, MOTORIZED UNITS WILL BE SHIPPED WITH MOTORS NOT CONNECTED TO MOTOR BRACKETS, FOR EASE OF INSTALLATION AND REDUCE TO RISK OF FREIGHT DAMAGE.