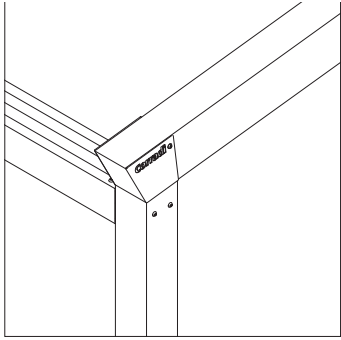


# B-SPACE DETAILS



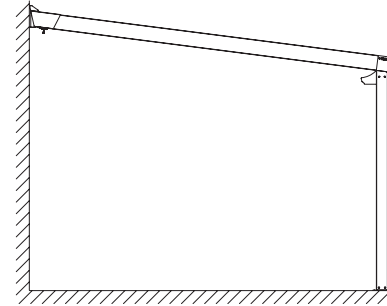
PERGOTENDA® B-SPACE is a larger retractable covering system custom made to size for the protection from sun and rain, fixed to a supporting wall. It consists of an aluminum structure and a folding canvas.

The wind resistance is variable from grade 4 to grade 8 on the Beaufort scale according to the length of runner wheelbase/runners/projection. The canvas, made from exclusive Corradi Eclissi\* fabric, available in white, grey and ivory, with internal concealed blackout layer and embossed side with weft effect, is supported by intermediate tubes (section: 1.6" x 2") and

terminals (section: 3.2 x 2) set parallel to one another approximately every 24". The canvas moves by sliding on runners with anti-spray profile integrated by means of sliders on 6 asymmetrically arranged wheels with a capacity over 1000 lb / each. The toothed transmission belt contains stainless steel cables and resists a salt water environment; the tensile strength is of 2000 lbs at break; the transmission belt is inserted in each runner, controlled by the notched pulley and a single drive shaft and guarantees the smooth forward movement of the canvas.

The PERGOTENDA® B-SPACE system is set in motion by an electric motor and it is remote controlled. Tubular extruded aluminum structure 4.7" x 6.3" and 4.7" x 4.7", available in: brown or white in glossy finish; titanium, cor10 and anthracite in matte finish. Support tubes available in colors: white, grey, or ivory in glossy finish. Painted with certified Qualicoat cycle epoxy powders. Sanded stainless steel accessories and 10/10 aluminum protection covers matching the structure.

**PITCHED**  
only



**MAXIMUM DIMENSIONS inches**

	<i>Width</i>	<i>Projection</i>
2 runner	177	354
3 runner	354	354
4 runner	512	354



# CORRADI USA NEW FRAME COLORS (matte finish)

2016-2017



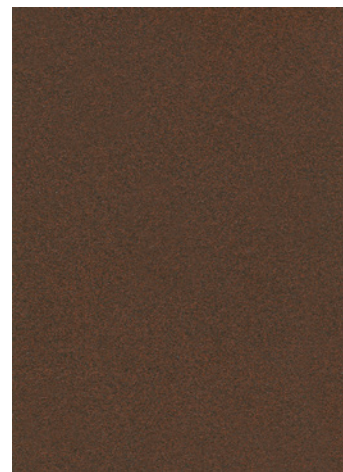
BEACH SAND



DUNE



GRANITE



CORTEN



URBAN BRONZE



QUARTZ WHITE



GLACIER



ANTHRACITE



CARBON

crossbar 2.4 x 4.7 for protective cover support

modular awning protective cover

motor

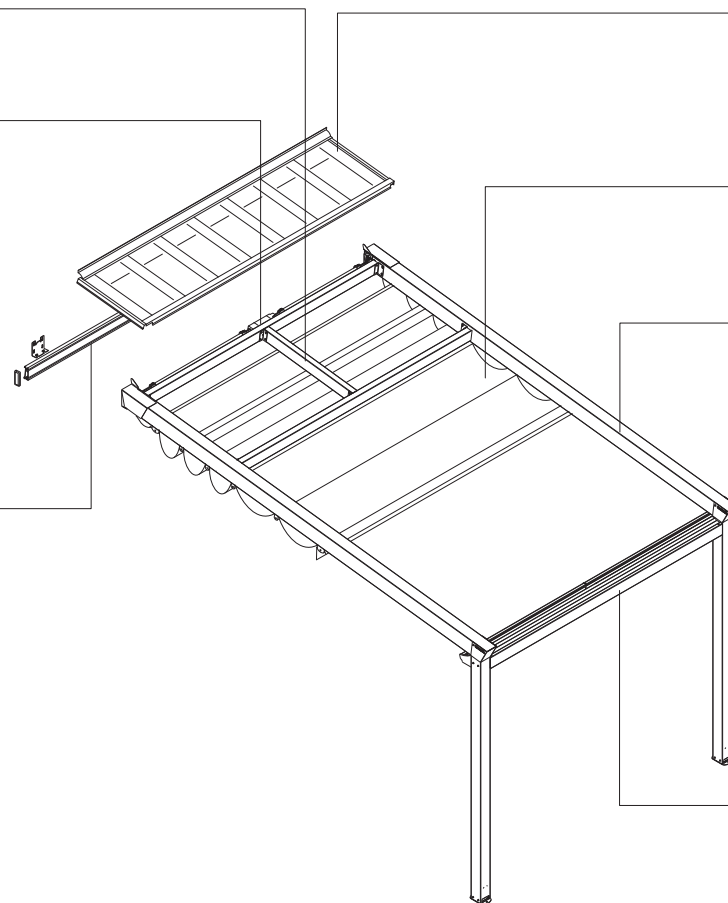
canvas

holding runner beam with integrated rail runners 4.7 x 6.3

wall beam (option)

pillar 4.7 x 4.7

front beam 4.7 x 4.7



# B-SPACE 3 RUNNER

motor

crossbar 2.4 x 4.7 for protective cover support

modular awning protective cover

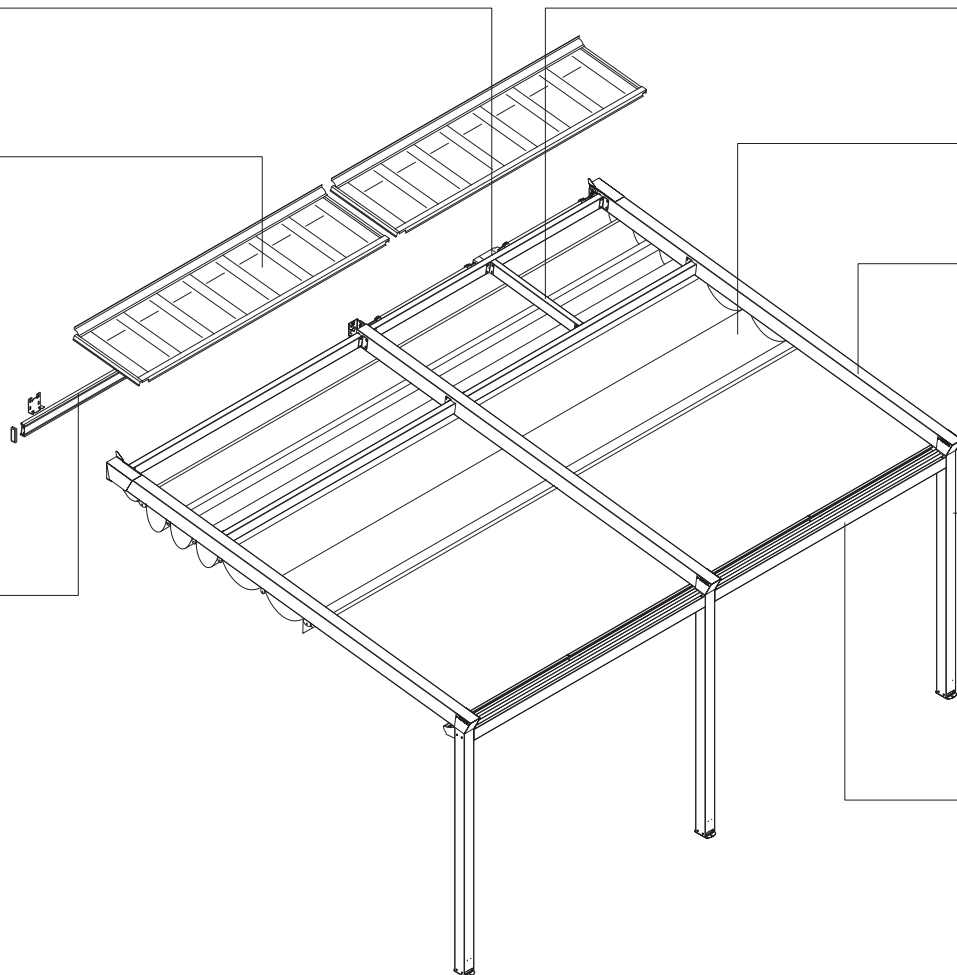
canvas

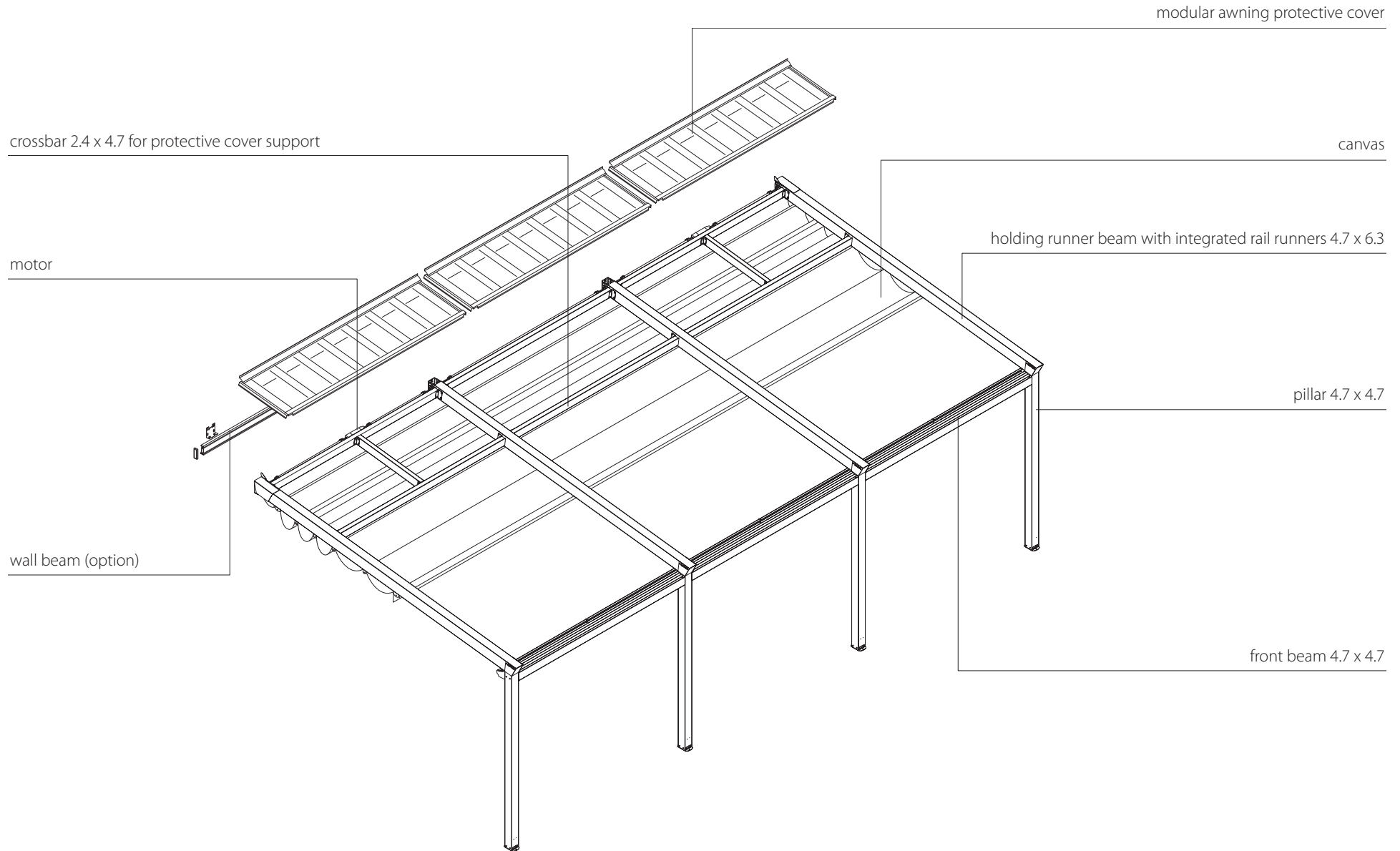
holding runner beam with integrated rail runners 4.7 x 6.3

wall beam (option)

pillar 4.7 x 4.7

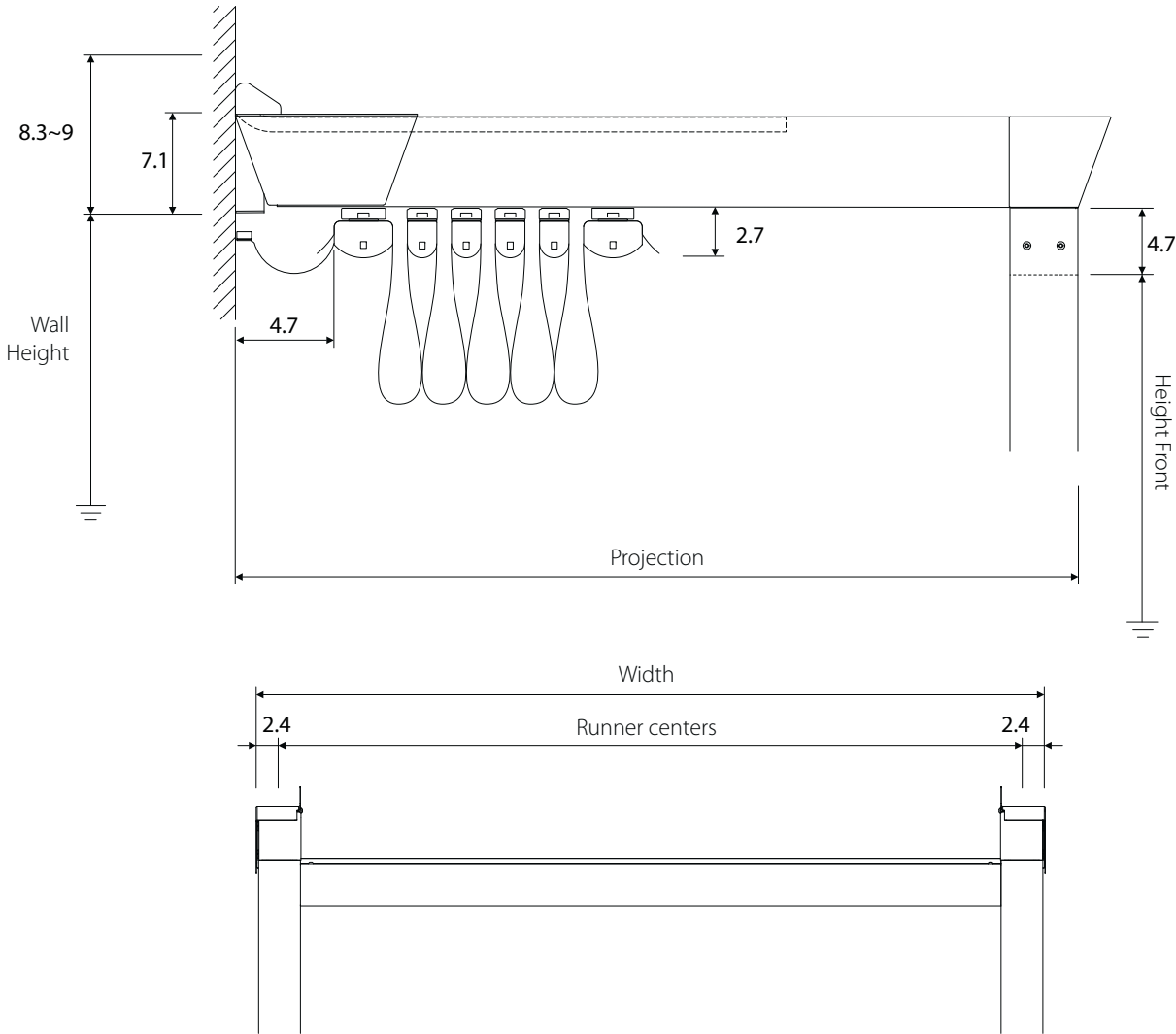
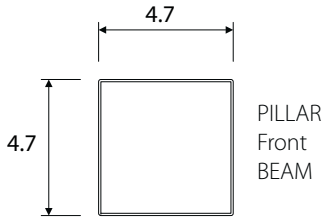
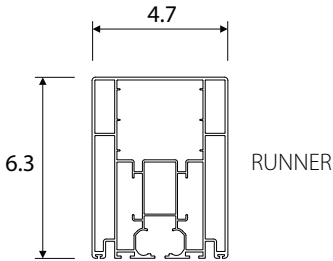
front beam 4.7 x 4.7





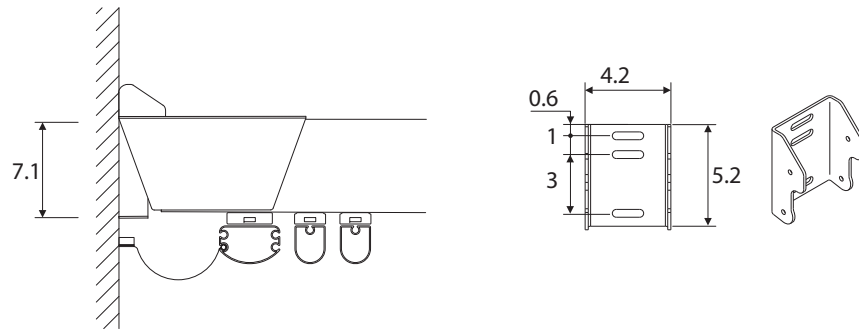
# B-SPACE DIMENSIONS

## PROFILE SECTION

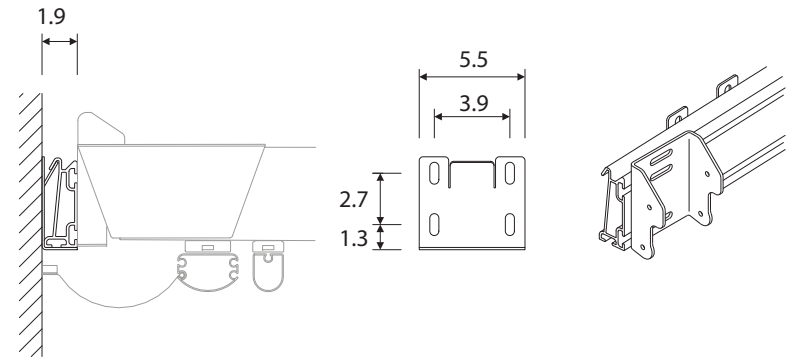


All measurements are given in inches.

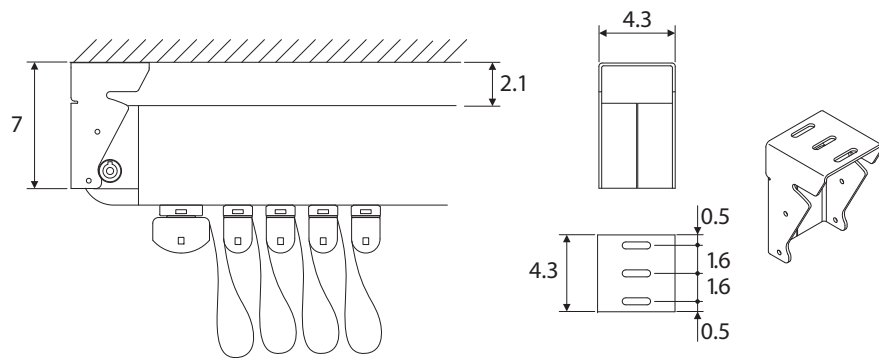
**DIRECT INSTALLATION TO WALL**



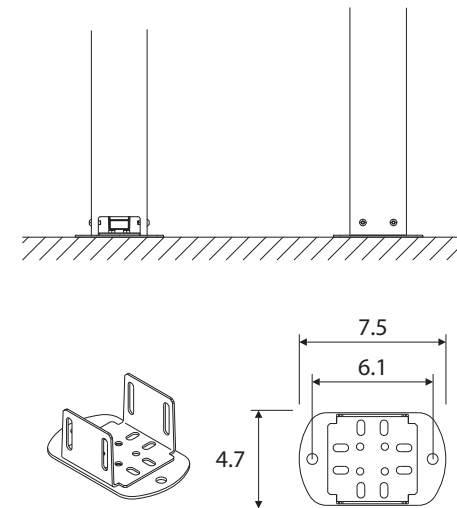
**INSTALLATION TO WALL WITH BEAM**



**CEILING MOUNTING**

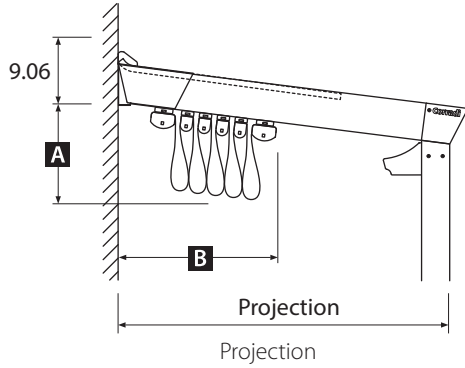


**FLOOR MOUNTING**



All measurements are given in inches.

# B-SPACE CANVAS ENCUMBERANCE



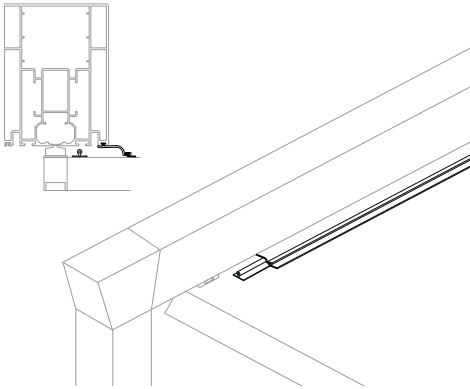
## Pitched

Minimum values of the encumbrance of the folded awning for the pitched version (slope 15%). The figures written in bold type refer to the canvas encumbrance with standard support tubes and the following refer to the use of additional tubes.

PROJECTION inches	SUPPORT TUBES TOTAL NUMBER											
	7	8	9	10	11	12	13	14	15	16	17	18
159	<b>13.4</b>	12.2	11.5									
183		<b>13.8</b>	13	12.2								
206			<b>14.2</b>	13.4	12.6							
230				<b>14.6</b>	13.8	13.4						
252					<b>15</b>	14.6	14.2					
276						<b>15.4</b>	15	14.6				
300							<b>16.1</b>	15.4	15			
322								<b>16.5</b>	15.7	15.7		
346									<b>17</b>	16.5	16.1	
354										<b>16.5</b>	16.5	16.1
	24	26	29	32	35	37	40	43	46	48	50	53

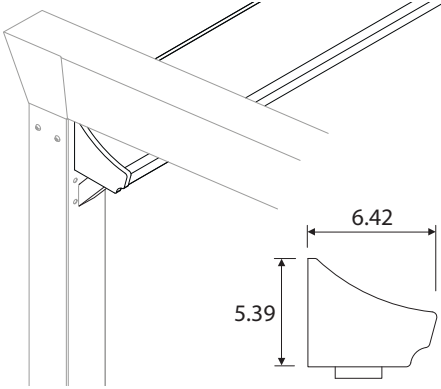


**FTR** = Feature (included)  
**OPT** = Option (incurs additional charge)



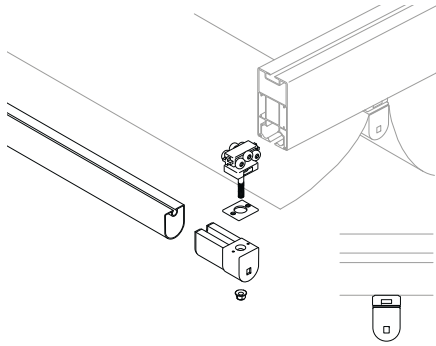
**ANTIDRIP SYSTEM + ANTISPRAY PROFILE**

**FTR** - Weldable PVC profile on the upper part of the canvas for lateral rainwater prevention complete with antispray profile PERGOTENDA® IRIDIUM® preassembled on runners.



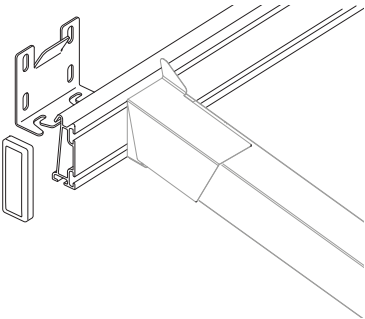
**FRONT GUTTER**

**OPT** - Extruded aluminum profile for rainwater collection, only for tilted versions. Down pipes (1 about every 236 in) and accessories included.



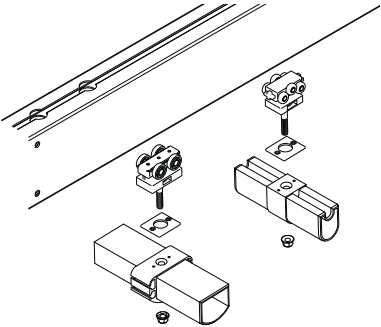
**ADD-ON INTERMEDIATE SUPPORT TUBE**

**OPT** - Complete intermediate support tube with endcaps, joints (where present) and intermediate sliders.



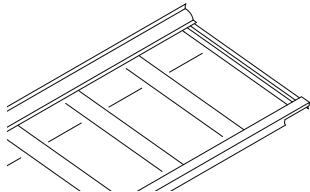
**WALL BEAM**

**OPT** - Aluminum profile for uneven walls, where standard fastening to supports is awkward; or otherwise to deal with minor bumps.



**ADD-ON RUNNER**

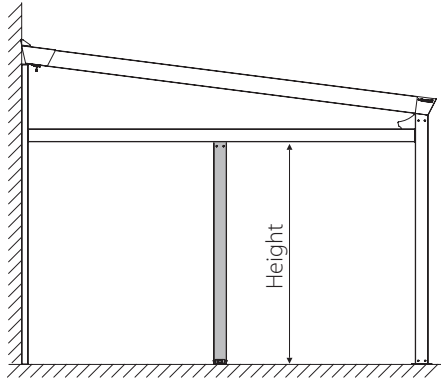
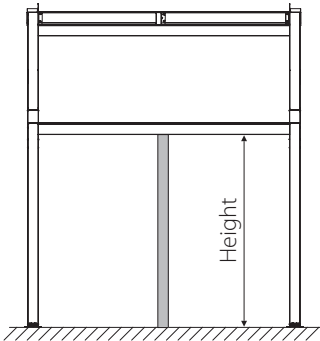
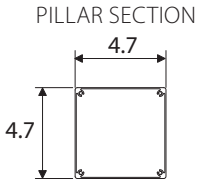
**OPT** - PERGOTENDA® B-SPACE runner complete with pillar 4.7 in x 4.7 in, stainless steel supports, sliders, support tube joints, central transmission shaft with bushes.

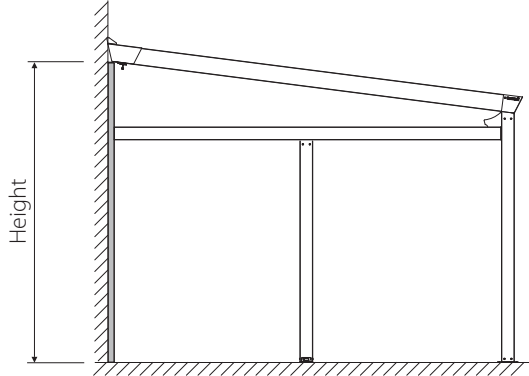
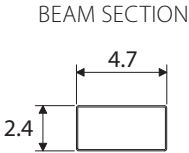
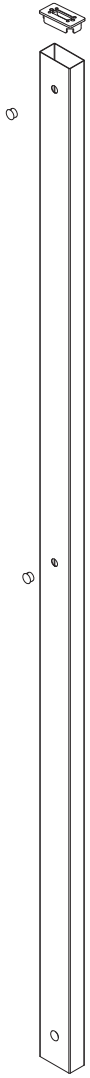


**ADD-ON HOOD**

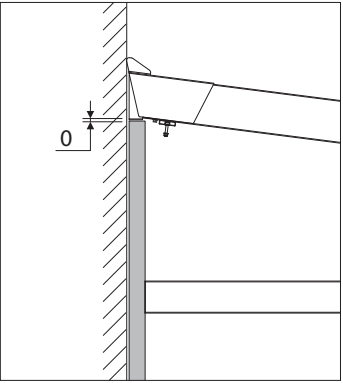
**OPT** - Awning Protection Hood.

# B-SPACE ADDITIONAL INTERMEDIATE PILLAR

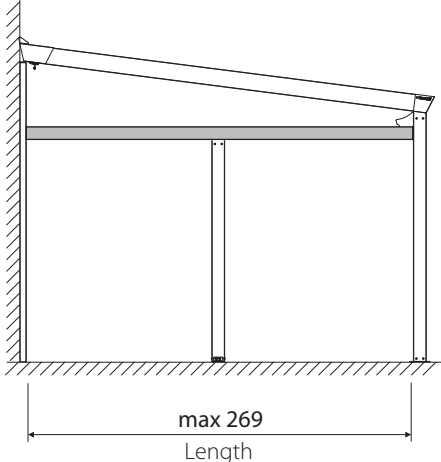
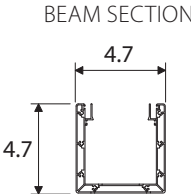
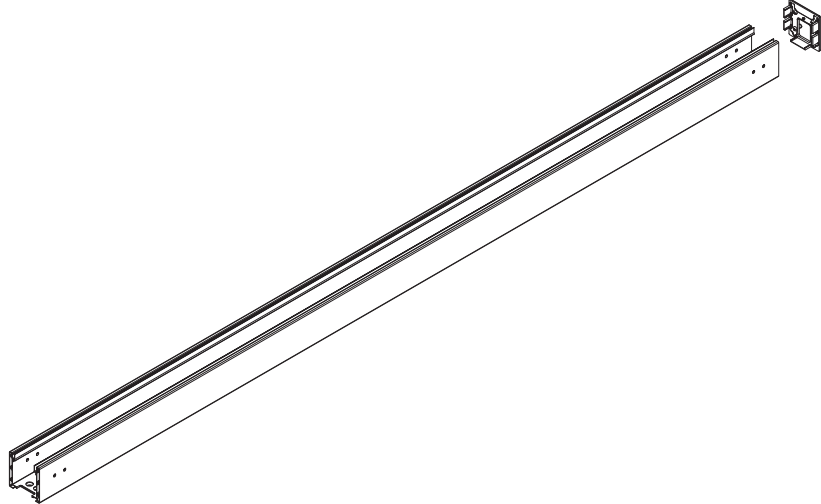




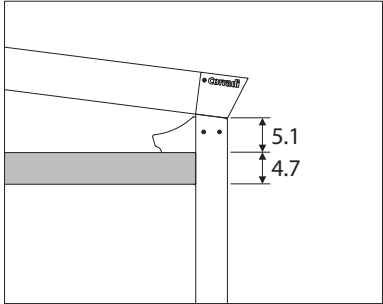
VERTICAL WALL BEAM POSITION



# B-SPACE SIDE HORIZONTAL BEAM UP TO 276 IN PROJECTION



HORIZONTAL BEAM POSITION  
PITCHED



# B-SPACE SIDE HORIZONTAL BEAM FROM 276 IN TO 355 IN PROJECTION

